

# Switching Power Supply



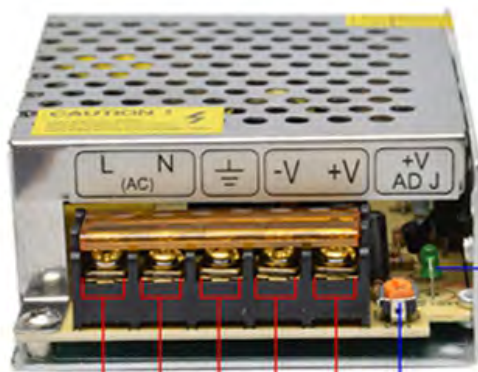
1205 12V 5A

## Specifications

Input Voltage	AC100-240V
Output Voltage	DC12V
Dimension	110 x 78 x 37mm

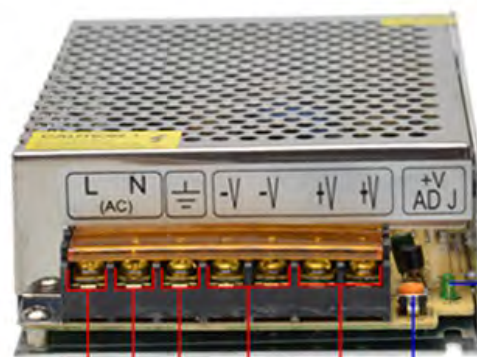
Input Frequency	50Hz-60Hz
Output Current	5A
Power	60W

## Wiring diagram



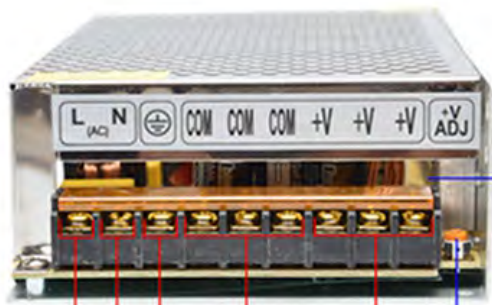
- Live Wire
- Naught wire
- Ground wire
- Output negative
- Output positive
- Output adjustable resistance

Working indicator light



- Live Wire
- Naught wire
- Ground wire
- Output negative
- Output positive
- Output adjustable resistance

Working indicator light



Working indicator light

Output adjustable resistance

Output positive

Output negative

Ground wire

Naught wire

Live Wire



Working indicator light

Output adjustable resistance

Output positive

Output negative

Ground wire

Naught wire

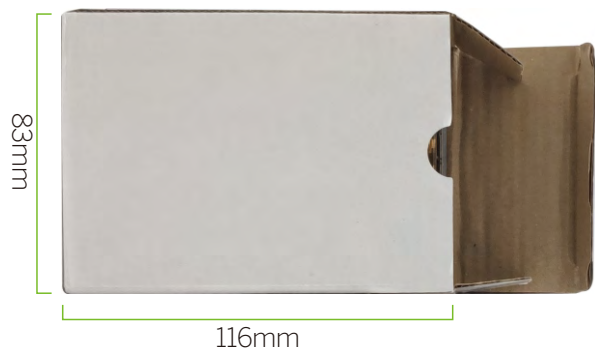
Live Wire

### Dimensions(mm)



### Packing box

116 x 83 x 42mm



S4A Industrial Co., Limited

Address: The 2nd floor, Jinmin'an Industrial Zone, #529, Bulong Rd.  
Bantian St. Longgang Dist. Shenzhen, PRC.. CN 518131



Tel: +86 755 29450011

[www.s4a-access.com](http://www.s4a-access.com) / Email: [sales@s4a-access.com](mailto:sales@s4a-access.com)  
Mob/Whatsapp/Wechat/Viber: +86 134 1050 0721